

PCU13 MINI-PRECISION CURRENT TRANSFORMERS

OVERVIEW

The PCU13 series are mini-precision current transformers. The CT is small size, PCB mounting and low cost



ELECTRICAL SPECIFICATIONS

MODEL	INPUT CURRENT	AVAILABLE OUTPUT
PCU13-30	30 A	CURRENT OUTPUTS @ 5mA, 10mA, 15mA, 20mA, 30mA, 50mA, 100mA can be customized by customer)
PCU13-50	50A	
PCU13-60	60 A	
PCU13-80	80 A	
PCU13-100	100 A	

APPLICATIONS

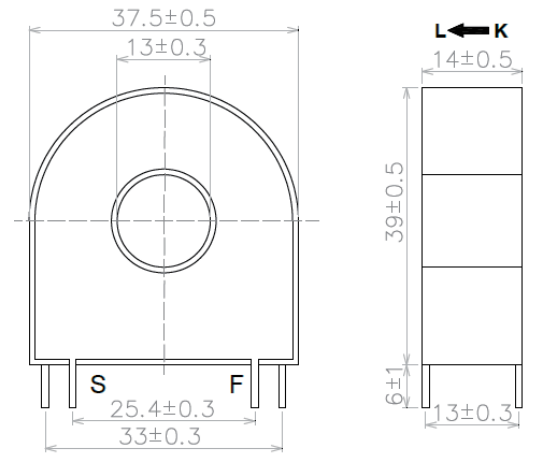
Energy and sub-metering products
Electrical load monitoring
Network equipment
Instruments and sensors
Control systems
Go GREEN initiatives

FEATURES

0.512" window opening (ID)
Custom design Turns-Ratio available
Rigid housing case with UL 94V-0 durable plastic
PCB Mount
Approximate weight 50g

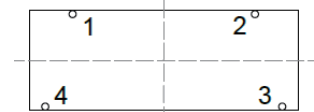
SPECIFICATIONS

Standard Input Current 0.01-100A
Frequency 50Hz — 400Hz
Standard accuracy 0.1, 0.2, 0.5, 1
Insulation Voltage 4000 Vac/1min
Operating Temp. -40°C to +65°C
Storage Temp. -45°C to +85 °C



Front View

Left View



Bottom View

