

## PTS90 Clamp type transformer

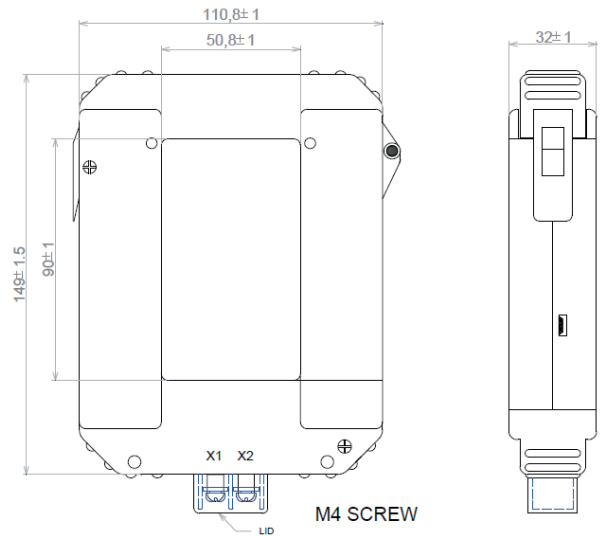
### OVERVIEW

The PTS90 series are split-core current transducers. The transducer can be mounted to existing panels, such as control centers or load centers, to measure or monitor wattage. These CTs can be mounted without removing existing cables for easier installation



### Electrical Specifications

MODEL	INPUT CURRENT	AVAILABLE OUTPUT
PTS90-500	500 A	POWER SUPPLY @ 18-30V CURRENT OUTPUTS @ 4-20mA
PTS90-600	600 A	
PTS90-800	800 A	
PTS90-1000	1000 A	
PTS90-1200	1200 A	



### APPLICATIONS

Phase fired controlled heaters
Quickly varying motor loads
Chopped wave form drivers
Current measurements
Split Core design
4 - 20 mA DC output; 18 - 30VDC powered
50*90 mm windows size
0-600A current customized
Accuracy 1%
Frequency range 20 Hz - 5 KHz
Weight 700g

### Advantage

Easy installation
Excellent linearity over the whole range
Compact case
High isolation between primary and secondary

