

PTS36 Split core current transducers

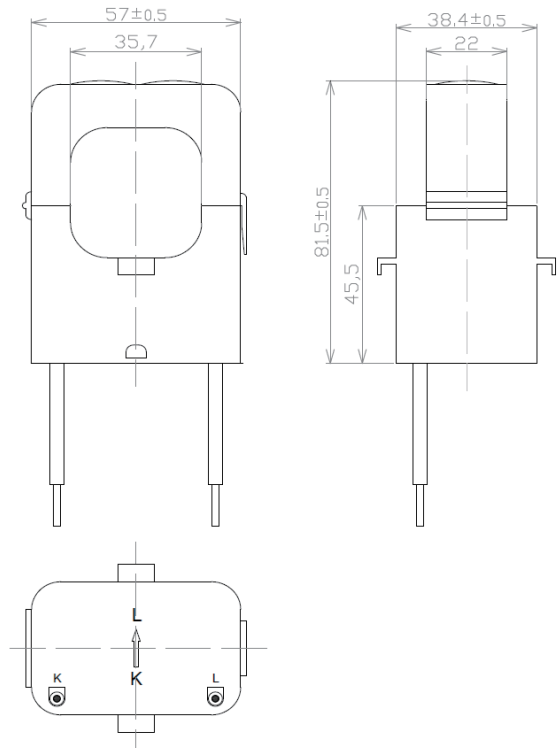
OVERVIEW

The PTS36 series are split-core current transducers. The transducer can be mounted to existing panels, such as control centers or load centers, to measure or monitor wattage. These CTs can be mounted without removing existing cables for easier installation



MECHANICAL

MODEL	INPUT CURRENT	AVAILABLE OUTPUT
PTS36-200	200 A	POWER SUPPLY@18-30V CURRENT OUTPUTS @4-20mA
PTS36-300	300 A	
PTS36-400	400 A	
PTS36-500	500 A	
PTS36-600	600 A	



APPLICATIONS

Phase fired controlled heaters
Quickly varying motor loads
Chopped wave form drivers
Current measurements
Split Core design
4 - 20 mA DC output; 18 - 30VDC powered
36 mm windows size
0-600A current customized
Accuracy 1%
Frequency range 20 Hz - 5 KHz
Weight 350g

ADVANTAGE

Easy installation
Excellent linearity over the whole range
Compact case
High isolation between primary and secondary

