

## PCS55-C CLAMP ON CURRENT TRANSFORMER

### OVERVIEW

The PCS55-C series are clamp-on current transformers. The CT can be mounted to existing panels, such as control centers or load centers, to measure or monitor wattage. These CTs can be mounted without removing existing cables for easier installation.

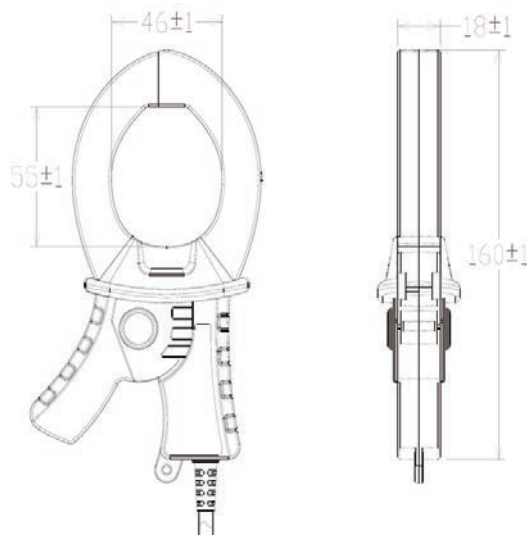


### ELECTRICAL SPECIFICATIONS

MODEL	INPUT CURRENT	AVAILABLE OUTPUT
PCS55100-C	50 A	CURRENT OUTPUTS @ 20mA, 40mA, 50mA, 100mA, 1A VOLTAGE OUTPUTS @ 0.25V, 0.33V, 0.5V, 1V, 2V
PCS55200-C	100 A	
PCS55300-C	150 A	
PCS55400-C	400 A	
PCS55500-C	500A	

### APPLICATIONS

Energy and sub-metering products
Electrical load monitoring
Network equipment
Instruments and sensors
Control systems
Go GREEN initiatives



### FEATURES

1.77*2.16" window opening (ID)
Custom design Turns-Ratio available
Rigid housing case with UL 94V-0 durable plastic
M4 terminal output
Approximate weight 300g

### SPECIFICATIONS

Standard Input Current 1-500A
Frequency 50Hz — 400Hz
Standard accuracy 0.5,1
Insulation Voltage 4000 Vac/1min
Operating Temp. -40°C to +70°C
Storage Temp. -45°C to +85 °C

