

PTS120 Split core current transducers

OVERVIEW

The PTS120 series are split-core current transducers. The transducer can be mounted to existing panels, such as control centers or load centers, to measure or monitor wattage. These CTs can be mounted without removing existing cables for easier installation.

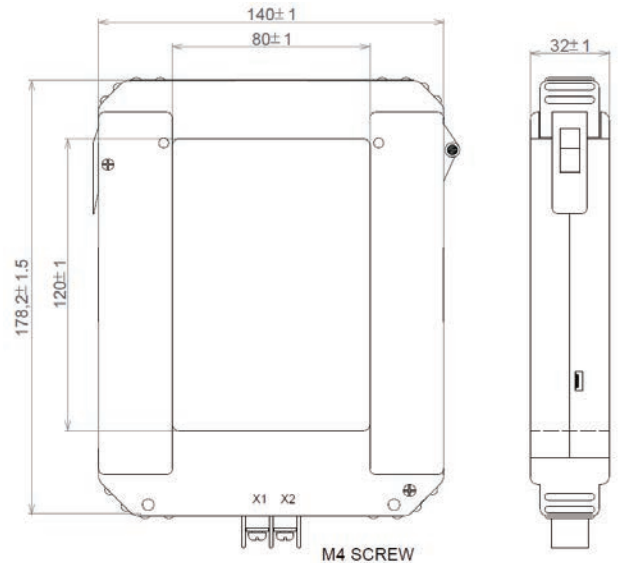


MECHANICAL

MODEL	INPUT CURRENT	AVAILABLE OUTPUT
PTS120-600	600 A	POWER SUPPLY@18-30V CURRENT OUTPUTS @4-20mA
PTS120-1000	1000 A	
PTS120-1500	1500 A	
PTS120-2000	2000 A	
PTS120-2500	2500 A	

APPLICATIONS

Phase fired controlled heaters
Quickly varying motor loads
Chopped wave form drivers
Current measurements
Split Core design
4 - 20 mA DC output; 18 - 30VDC powered
80*120 mm windows size
0-600A current customized
Accuracy 1%
Frequency range 20 Hz - 5 KHz
Weight 930g



ADVANTAGE

Easy installation
Excellent linearity over the whole range
Compact case
High isolation between primary and secondary

