

PRC120/190/305 Rogowski coil

OVERVIEW

Clamp-on Flexible Rogowski coil Current Transformer has been designed for accurate measurement of wide AC current, pulsed DC or distorted waveforms. It may be used to measure AC current over a wide dynamic range and from 10Hz to 20kHz.

FEATURES

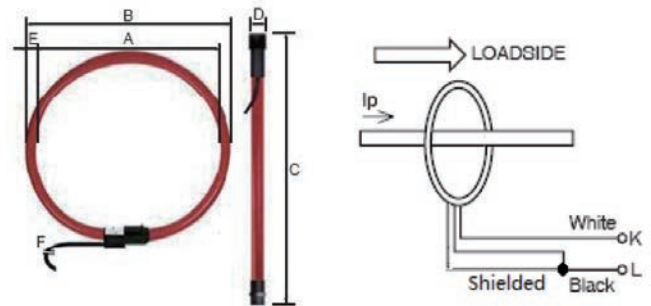
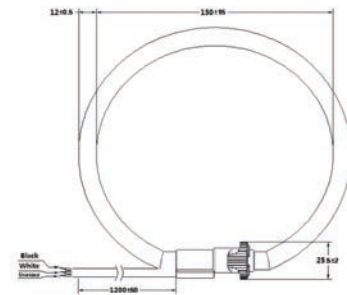
AC current probe utility by the Rogowski principle
Flexible and lightweight
Easy & quick installation in uninterruptible power line
Available shielding type on request
Coil length from 40cm to 100cm
No danger from open-circuited secondary
High secondary output voltage & precise linearity error
Isolated plastic case recognized according to UL94-V0
IP 65(Probe head only)

APPLICATIONS

Very high current monitoring
DC ripple measurement
Harmonics and transients monitoring
Power monitoring & control systems
Applicable in electronic Watt-hour meter

DIMENSIONS(MM)

DIMENSIONS (mm)	PRC120-1	PRC190-1	PRC305-1
A Window Size	120	190	305
B Transformer Coil O.D.	145	205	335
C Transformer Length	400	600	1000
D Locking Connector O.D.	21		
E Transformer Coil Diamete	12		
F Wire Lead Total Length	1500(Available customizing)		



ELECTRONICAL

MODEL	PRC120-1	PRC190-1	PRC305-1
Current Range	1000A	2000A	3000A
Output Voltage	120mV AC/1000A@50Hz 144mV AC/1000A@60Hz	240mV AC/2000A@50Hz 288mV AC/2000A@60Hz	342mV AC/3000A@50Hz 410.4mV AC/3000A@60Hz
Accuracy	< 1%		
Phase Shift	50/60Hz typical		
Frequency Range	10Hz to 20kHz		
Output Sensitivity Tolerance	±5% maximum(Uncalibrated)		
Output Sensitivity Tolerance	±0.5% of reading at 25°C(Calibrated)		
Linearity (10% to 100% of range)	±0.2% of reading		
Conductor Position Sensitivity	±2% maximum		
Influence of External Field	±2% maximum		
Working Temp.	-20°C to +60°		
Insullation Category	CAT III		