

PCS110-C Clamp type transformer

OVERVIEW

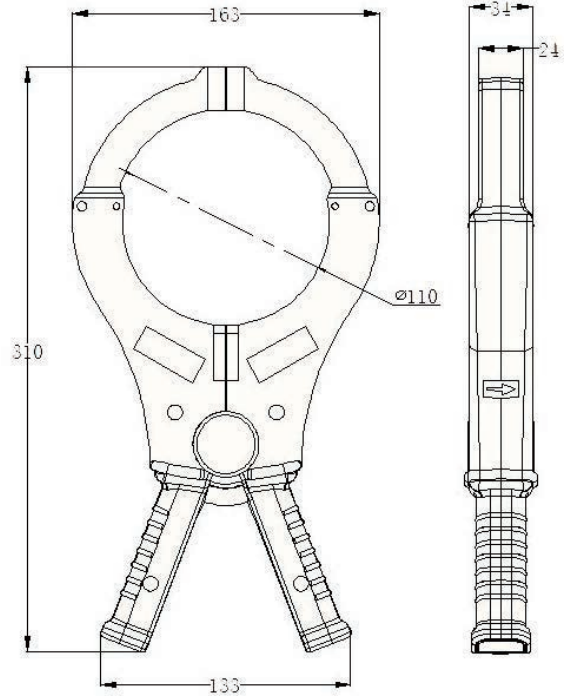
The PCS110-C series are clamp-on current transformers. The CT can be mounted to existing panels, such as control centers or load centers, to measure or monitor wattage. These CTs can be mounted without removing existing cables for easier installation.

APPLICATIONS

Energy and sub-metering products
Electrical load monitoring
Network equipment
Instruments and sensors
Control systems
Go GREEN initiatives

FEATURES

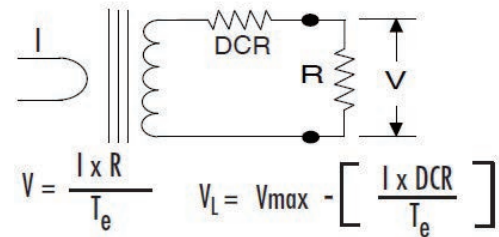
4.33" window opening (ID)
Custom design Turns-Ratio available
Rigid housing case with UL 94V-0 durable plastic
6ft black/white PVC wire leads 24~16AWG
Approximate weight 1000g



Mechanical Dimensions in mm

SPECIFICATIONS

Standard Input Current 1-1000A
Frequency 50Hz — 400Hz
Standard accuracy 0.5,1
Insulation Voltage 4000 Vac/1min
Operating Temp. -40°C to +70°C
Storage Temp. -45°C to +85 °C



ELECTRICAL SPECIFICATIONS

MODEL	INPUT CURRENT	AVAILABLE OUTPUT
PCS110500-C	500 A	CURRENT OUTPUTS @ 1A, 5A
PCS110600-C	600 A	
PCS110700-C	700 A	
PCS110800-C	800 A	
PCS1101000-C	1000 A	

Before installation, safety precautions must be followed by licensed professional. Never energize primary unless short circuited terminals or burden connected to secondary.