

## FCT-h is a high-frequency flexible current sensor

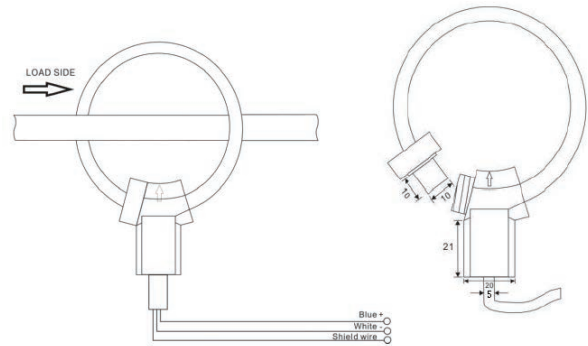
### OVERVIEW

FCT-h is a high-frequency flexible current sensor that can be directly combined with portable devices such as power analyzers to form a very flexible system. Suitable for energy consumption monitoring, high-frequency current monitoring, DC ripple measurement, etc. Different sizes can be customized according to requirements.



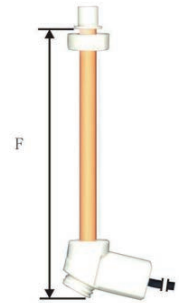
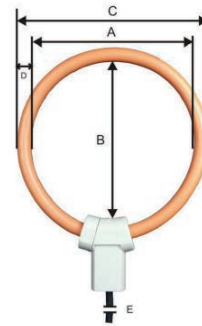
### ENVIRONMENTAL

Roche coil center	< 0.5%
Coil part	< 1%



### SPECIFICATION

Excellent linearity
High dynamic range, 1A to 1000KA
Strong overload capability
Little interference from adjacent conductors
No danger of open circuit high voltage
Zero power consumption
Small position error
Soft and lightweight, easy to install
Good linearity



### ELECTRONICAL

MODEL	FCT-h-200	FCT-h-350	FCT-h-510	other
Perimeter	200mm	350mm	510mm	
Bore size	60mm	105mm	150mm	
Resistance	10- 300 Ω			
Section	8mm			
Line length	default 2m, Customizable			
Current range	1A – 1000kA			
Calibration	1.1mV/kA@50Hz±5%	6.8mV/kA@50Hz±5%	10mV/kA@50Hz±5%	
Not calibrated	30mV/kA@50Hz±5%			
Internal resistance	200ppm/C			

**MECHANICAL**

size (mm)	H-FCT-200-2M	H-FCT-350-2M
A. Window size	60	105
B. Window size	50	95
C. Outer diameter of coil	76	121
D. Coil cross-section	8	
E. Signal line lengthB. Window size	Default 2 m	
F.Coil length	200	350

**INSTALLATION METHOD:**

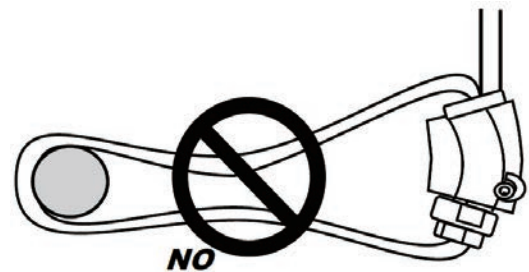
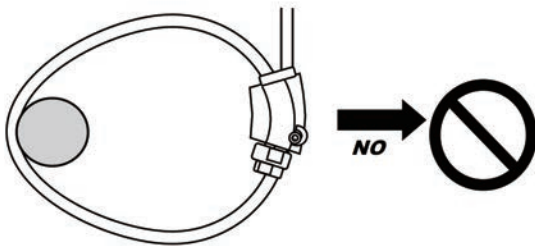
First, place the R-shaped pipe clamp of appropriate size on the tested body with bolts, and lead out the cable tie from below the clamp to tie the coil to the clamp You can fix the coil by going up.



**ATTENTION!**

I Do not forcefully pull

II Do not bend forcefully



III Do not package in a bent state

