

ZRC is a flexible current sensor

OVERVIEW

ZRCT is a flexible current sensor that can be directly combined with portable devices such as power analyzers to form a very flexible system. Suitable for energy consumption monitoring, high-frequency current monitoring, DC ripple measurement, etc. Different sizes can be customized according to requirements.

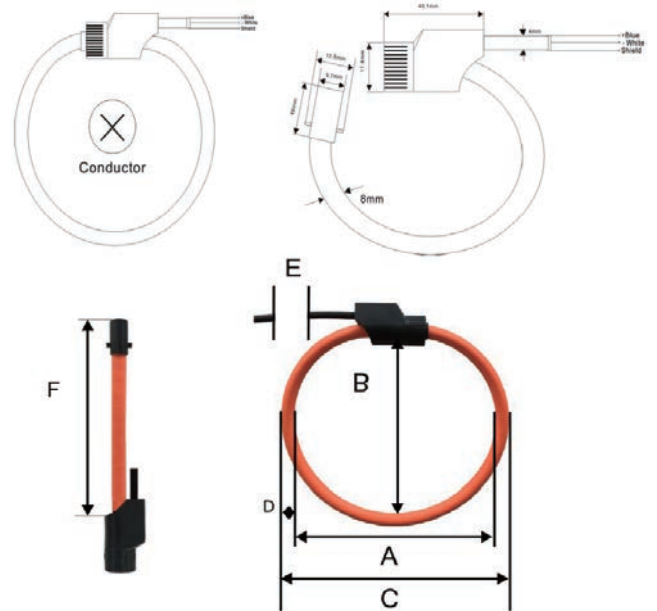


ENVIRONMENTAL

Roche coil center	< 0.5%
Coil part	< 1%

SPECIFICATION

Excellent linearity
High dynamic range, 1A to 500KA
Strong overload capability
Low interference from adjacent conductors
There is no risk of open circuit and high voltage
Zero power consumption
Low position error
Soft and lightweight, easy to install
Good linearity



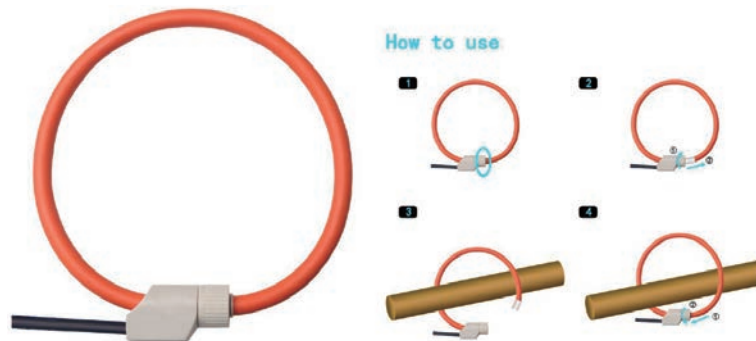
ELECTRONICAL

MODEL	ZRCT-50	ZRCT-100	ZRCT-150
Perimeter	214mm	375mm	535mm
Internal diameter	50mm	100mm	150mm
Reference current	≤500kA		
Coil resistance	100-120Ω		
Maximum current	500kA		
Signal line length	Default 2m, customizable		
Calibration	100±0.5% $mV/kA@50Hz$	85±0.5% $mV/kA@50Hz$	50±0.5% $mV/kA@50Hz$
Not calibrated	106±5% $mV/kA@50Hz$		
Internal resistance	Uncalibrated 200ppm/C	Calibrate 50ppm/C	

MECHANICAL

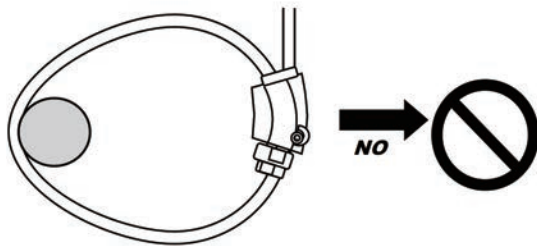
size (mm)	ZRCT-50-2M	ZRCT-100-2M	ZRCT-150-2M
A. Window size	70	125	165
B. Window size	50	100	150
C. Outer diameter of coil	86	141	181
D. Coil cross-section	8		
E. Signal line lengthB. Window size	2M		
F. Coil length	214	375	535

INSTALLATION METHOD:

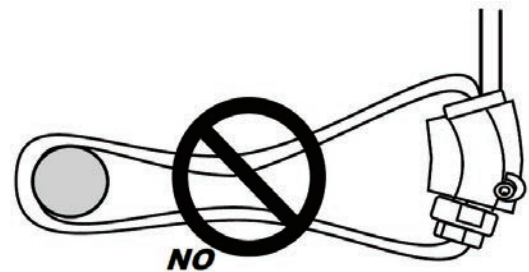


ATTENTION!

I Do not forcefully pull



II Do not bend forcefully



III Do not package in a bent state

