

TRCT 6 precision flexible Roche coil

OVERVIEW

TRCT is a flexible current sensor that can be directly combined with portable devices such as power analyzers to form a very flexible system. Suitable for energy consumption monitoring, high-frequency current monitoring, DC ripple measurement, etc. Different sizes can be customized according

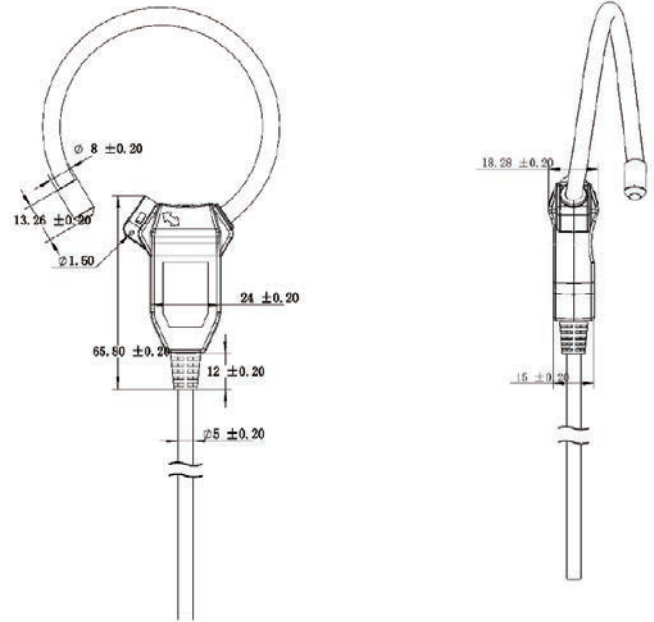


ENVIRONMENTAL

Roche coil center	<0.5%
Coil part	<0.5%

SPECIFICATION

Excellent linearity
High dynamic range, 1A to 500KA
Strong overload capability
Little interference from adjacent conductors
There is no risk of open circuit and high voltage
Zero power consumption
Low position error
Soft and lightweight, easy to install
Good linearity



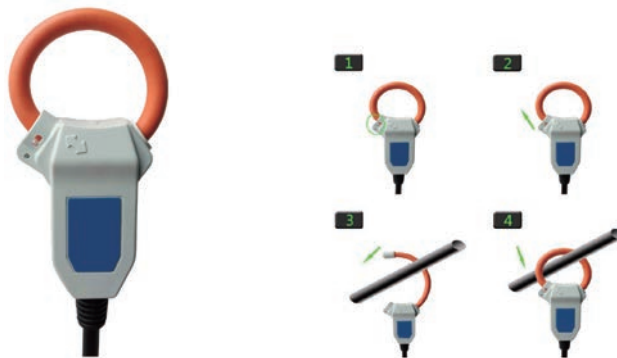
ELECTRONICAL

MODEL	TRCT-24	TRCT-36	TRCT-50	TRCT-36D
Perimeter	97mm	130mm	180mm	300mm
Internal diameter	24mm	36mm	50mm	36mm
Reference current	≤500kA			
Coil resistance	50-300Ω			
Maximum current	500kA			
Signal line length	Default 2m, customizable			
Calibration	50±0.2% <i>mV/kA</i> @50Hz			
Not calibrated	60±5% <i>mV/kA</i> @50Hz			
Internal resistance	Uncalibrated 200ppm/C		Calibrate 50ppm/C	

MECHANICAL

size (mm)	TRCT-24-2M	TRCT-36-2M	TRCT-50-2M
A. Window size	27.5	36	50
B. Window size	24	36	50
C. Outer diameter of coil	39.5	48	62
D. Coil cross-section	6		
E. Signal line lengthB. Window size	2M		
F.Coil length	97	130	180

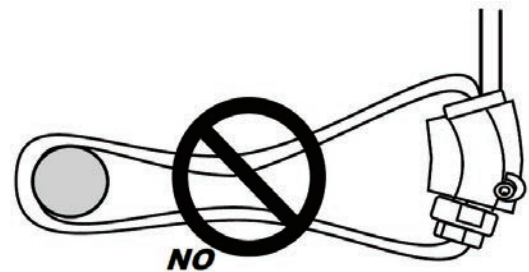
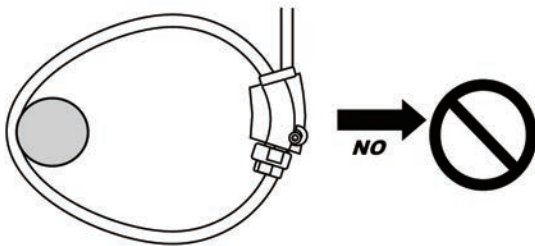
INSTALLATION METHOD:



ATTENTION!

I Do not forcefully pull

II Do not bend forcefully



III Do not package in a bent state

